

CX D-SERIES

CX145D SR

SPECIFICATIONS

ENGINE

Model _____ ISUZU VD-4JJ1X
 Type _____ Water-cooled, 4,cycle diesel, 4-cylinder in line,
 High pressure common rail system (electric control),
 Turbocharger with air cooled intercooler, SRC system
 Exhaust gas treatment: _____ Stage V , CEGR, DOC + DPD + SCR
 Auto cleaning by temperature and pressure management
 Number of cylinders / Displacement (l) _____ 4 / 2.99
 Emissions level _____ Reg. Eu 2016/1628 Stage V
 Bore & stroke (mm) _____ 95.4 x 104.9

Rated flywheel horse power

SAE J1349, ISO 9249 (kW / hp) _____ 76.4 / 102 at 2000 min⁻¹
 ISO 14396 (kW / hp) _____ 78.5 / 105 at 2000 min⁻¹

Maximum torque

SAE J 1349, ISO 9249 (Nm) _____ 349 at 1800 min⁻¹
 ISO 14396 (Nm) _____ 356 at 1800 min⁻¹

HYDRAULIC SYSTEM

Main pumps _____ 2 variable displacement axial piston pumps
 with regulating system

Max. oil flow (l/min) _____ 2 x 129 at 2000 min⁻¹

Working circuit pressure

Boom/Arm/Bucket _____ 34.3 MPa – 36.3 MPa with auto power boost

Boom/Arm/Bucket (Offset version only) _____ 34.3 Mpa

Swing circuit _____ 27.9 MPa

Travel circuit _____ 34.3 MPa

Offset circuit (Offset version only) _____ 31.4 Mpa

Pilot pump _____ 1 gear pump

Max. oil flow (l/min) _____ 20

Working circuit pressure (MPa) _____ 3.9

Boom Cylinders

Bore (mm) _____ 105

Stroke (mm) _____ 1120

Arm Cylinder

Bore (mm) _____ 115

Stroke (mm) _____ 1108

Bucket Cylinder

Bore (mm) _____ 95

Stroke (mm) _____ 881

Boom Positioning Cylinder (2PB versions)

Bore (mm) _____ 140

Stroke (mm) _____ 840

Blade Operating Cylinder (dozer blade versions)

Pieces _____ 2

Bore (mm) _____ 115

Stroke (mm) _____ 250

Offset Operating Cylinder (Offset version)

Bore (mm) _____ 120

Stroke (mm) _____ 363

SWING

Swing Motor _____ Fixed displacement axial piston motor

Maximum swing speed (min⁻¹) _____ 12.5

Swing torque (kNm) _____ 37

ELECTRICAL SYSTEM

Voltage _____ 24 V

Alternator _____ 90 Amp

Starter _____ 24 V 4.0 kW

Battery _____ 2 X 12 V 72 Ah/5HR

UNDERCARRIAGE

High travel speed (km/h) _____ 5.6

Low travel speed (km/h) _____ 3.4

Drawbar pull (kN) _____ 116

Number of carrier rollers (each side) _____ 1 (with Blade);
 2 (LC w/out blade)

Number of track rollers (each side) _____ 7

Number of shoes (each side) _____ 43 (with Blade);
 46 (LC w/out blade)

Type of shoes _____ Triple grouser shoes

Grade ability _____ 70 % (35°)

CIRCUIT AND COMPONENT CAPACITIES

Fuel tank (l) _____ 200

Hydraulic system (l) _____ 158

Hydraulic reservoir (l) _____ 75

AdBlue tank (l) _____ 43

SOUND LEVEL

External guaranteed sound level

(EU Directive 2000/14/EC) _____ LwA 99 dB(A)

Operator cab sound pressure level (ISO 6396) _____ LpA 69 dB(A)

OPERATING WEIGHT

	Operating weight	Counterweight (kg)
LC	14500/14700*	3350/3550
Blade	14700/15400*	2850/3550
2 Piece Boom	15200	3350
2 PB w/Blade	15800	3350
Offset	15400	2850

*with heavy counterweight

BLADE DIMENSIONS AND RANGE

Blade dimensions

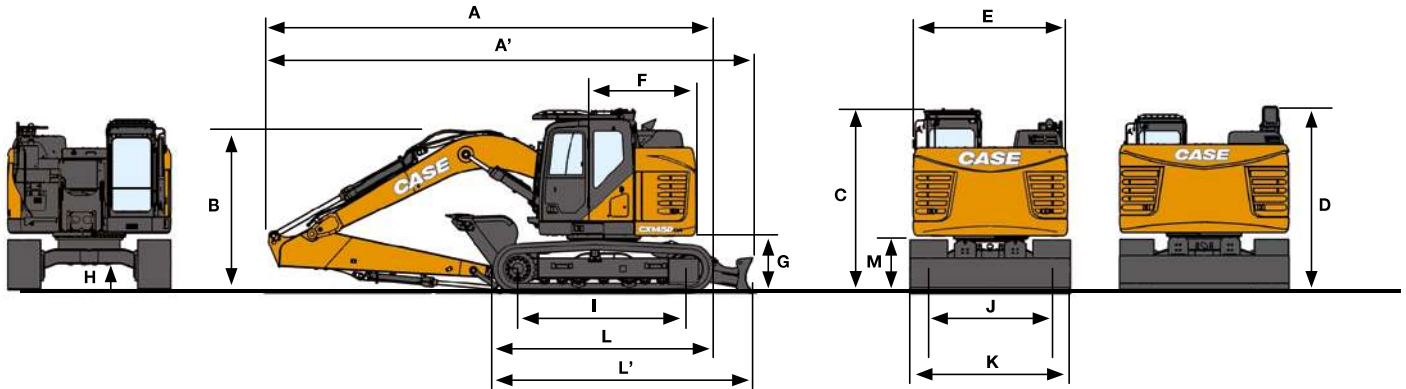
Blade (width x height) (mm) _____ 2490 / 2590 / 2690 x 570

Blade range up / down (mm) _____ 510/520

CX D-SERIES

CX145D SR

GENERAL DIMENSIONS



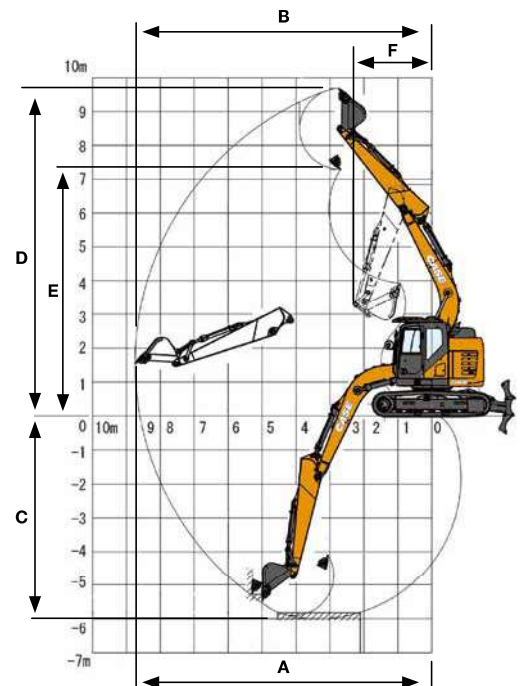
		CX145D SR LC			CX145D SR BLADE		
		Arm 2.5 m	Arm 3.00 m	Arm 2.10 m HD	Arm 2.5 m	Arm 3.00 m	Arm 2.10 m HD
A Overall length (with attachment)	mm	7350	7340	7340	7220	7210	7210
A' Overall length (with attachment & blade)	mm	-	-	-	7880	7860	7870
B Overall height (to top of boom)	mm	2840	2680	2750	2840	2680	2750
C Cab height	mm	2920	2920	2920	2920	2920	2920
D Overall height (to top of guardrail)	mm	2940-2780 (folded handrail)	2940-2780 (folded handrail)	2940-2780 (folded handrail)	2940-2780 (folded handrail)	2940-2780 (folded handrail)	2940-2780 (folded handrail)
E Upper structure overall width	mm	2490	2490	2490	2490	2490	2490
F Swing (rear end) radius STD count./heavy count.	mm	1490/1530	1490/1530	1490/1530	1490	1490	1490
G Clearance height under upper structure	mm	880	880	880	880	880	880
H Minimum ground clearance	mm	420	420	420	425	425	425
I Wheel base (Center to center of wheels)	mm	3040	3040	3040	2790	2790	2790
L Crawler overall length	mm	3760	3760	3760	3500	3500	3500
L' Crawler overall length (with blade)	mm	-	-	-	4160	4160	4160
M Crawler tracks height	mm	780	780	780	780	780	780
J Track gauge	mm	1990	1990	1990	1990	1990	1990
K Undercarriage overall width (with 600 mm shoes)	mm	2590	2590	2590	2590	2590	2590

PERFORMANCE DATA

CX145D SR LC / CX145D SR BLADE		Arm 2.5 m	Arm 3.00 m	Arm 2.10 m HD
Boom length	mm	4630	4630	4630
A Maximum reach at GRP	mm	8140	8600	7780
B Max reach	mm	8290	8740	7940
C Max digging depth	mm	5510	6010	5110
D Max digging height	mm	9340	9690	9060
E Max dumping height	mm	6940	7290	6660
F Min swing radius	mm	1950	2330	1890

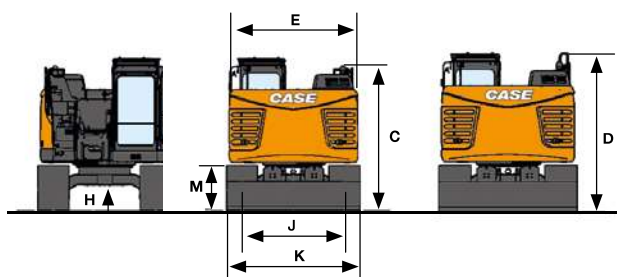
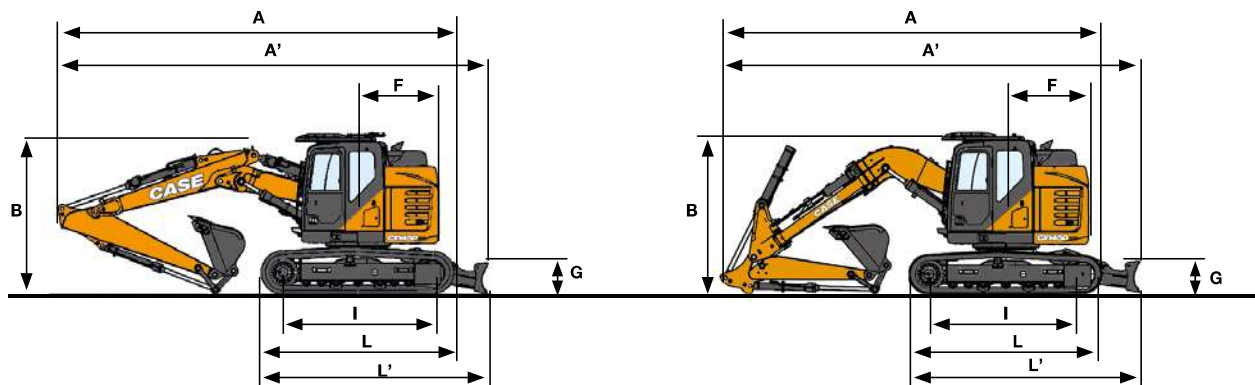
DIGGING FORCE (ISO 6015)

CX145D SR LC / CX145D SR BLADE		Arm 2.5 m	Arm 3.00 m	Arm 2.10 m HD
Arm digging force	kN	62	56	70
With auto power boost	kN	66	60	74
Bucket digging force	kN	90	90	90
With auto power boost	kN	95	95	95



CX D-SERIES

CX145D SR 2-PB W/BLADE / OFFSET BOOM



DIGGING FORCE (ISO 6015)

	CX145D SR 2 PB - 2PB (W/BLADE)		CX145D SR OFFSET
	Arm 2.5 m	Arm 3.00 m	Arm 2.10 m
Arm digging force	kN 62	56	59.5
With auto power boost	kN 66	60	-
Bucket digging force	kN 90	90	89.3
With auto power boost	kN 95	95	-

	mm	CX145D SR LC 2 PIECE BOOM		CX145D SR 2 PB (W/BLADE)		CX145D SR OFFSET
		Arm 2.5 m	Arm 3.00 m	Arm 2.5 m	Arm 3.00 m	Arm 2.10 m
A Overall length (with attachment)	mm	7460	7480	7330	7350	6910
A' Overall length (with attachment & blade)	mm	-	-	7990	8010	7570
B Overall height (to top of boom)	mm	2730	2750	2730	2750	2690
C Cab height	mm	2920	2920	2920	2920	2920
D Overall height (to top of tailpipe - folded guardrail)	mm	2780	2780	2780	2780	2780
E Upper structure overall width	mm	2490	2490	2490	2490	2490
F Swing (rear end) radius	mm	1490	1490	1490	1490	1490
G Clearance height under upper structure	mm	880	880	880	880	880
H Minimum ground clearance	mm	440	440	425	425	425
I Wheel base (Center to center of wheels)	mm	3040	3040	2790	2790	2790
L Crawler overall length	mm	3760	3760	3500	3500	3500
L' Crawler overall length (with blade)	mm	-	-	4160	4160	4160
M Crawler tracks height	mm	780	780	780	780	780
J Track gauge	mm	1990	1990	1990	1990	1990
K Undercarriage overall width (with 600 mm shoes)	mm	2590	2590	2590	2590	2590

PERFORMANCE DATA

	mm	CX145D SR 2 PB - 2PB (W/BLADE)		CX145D SR OFFSET
		Arm 2.5 m	Arm 3.00 m	Arm 2.10 m
Boom length	mm	-	-	4500
1 st Boom length	mm	2460	2460	-
2 nd Boom length	mm	2390	2390	-
A Maximum reach at GRP	mm	8280	8760	7430
B Max reach	mm	8430	8890	7590
C Max digging depth	mm	5310	5810	4910
D Max digging height	mm	9470	9840	8630
E Max dumping height	mm	7080	7450	6250
F Min swing radius	mm	2110	2510	1490

